

POOL AND HYDRO-MASSAGE SELF-PRIMING PUMP

CRYSTAL PUMP 4P

Technical Sheet



M008-96 – R. 00 - 04/2014

GENERAL

Culligan OFFERS a SPECIAL LINE of self-priming centrifugal pumps, high performance, with high capacity prefilter included. **Completely watertight motor.** Extremely **quiet running** and **reliable**, suitable for water circulation and filtration in domestic and residential swimming pools.

Suitable also for special applications that call for handling of aggressive liquids, in fish farms, agriculture and industry.

The monoblock pumps, both single and three-phase, use motors conform to the Energy efficiency class IE2. Pump body in fibreglass reinforced technopolymer. Strainer cover in clear antioxidant polycarbonate to guarantee constant visibility through time. Polyethylene prefilter basket. Nylon strainer. Impeller in fibreglass-reinforced technopolymer developed to ensure total coverage and isolation of the motor shaft from the pumped liquid. Diffuser in reinforced technopolymer. Mechanical seal in carbon / alumina / NBR / AISI 316.

Pump body O-rings in NBR, threaded fasteners and reinforcing rings in AISI 316. Butterfly filler and drain plugs that can be removed and refitted without tools

Closed asynchronous motor, with externally 4-pole ventilated.

Motor and terminal box protection rating	: IP 55
Insulation class	: F
Standard power supply	: 230-400V 50 Hz -3 pH up to 4 kW : 400-690V 50 Hz - 3 pH over 4 kW
Pumped fluid	: clean water or slightly contaminated with suspended solid debris, long fibre; highly aggressive water with high percentage of chlorine/bromine and PHMB (Polyhexamethylene biguanide) or water treated with the chlorine electrolysis process.
Liquid temperature range	: up to 40° C.
Maximum ambient temperature	: +40°C.
Maximum working pressure	: 2,5 bar.
Installation	: in horizontal position
Reference standard	: IEC - 60364.

TECHNICAL DATA

MODEL	POWER SUPPLY	Nominal power		In A			Hydraulic Connections	
		kW	HP	230	400	690	DNA	DNM
kW 3.0	230-400 V -3 pH	3.0	4.0	12.5	6.9	-	110	110
kW 5.5	400-690 V - 3 pH	5.5	7.5	-	12.0	7.0	110	110

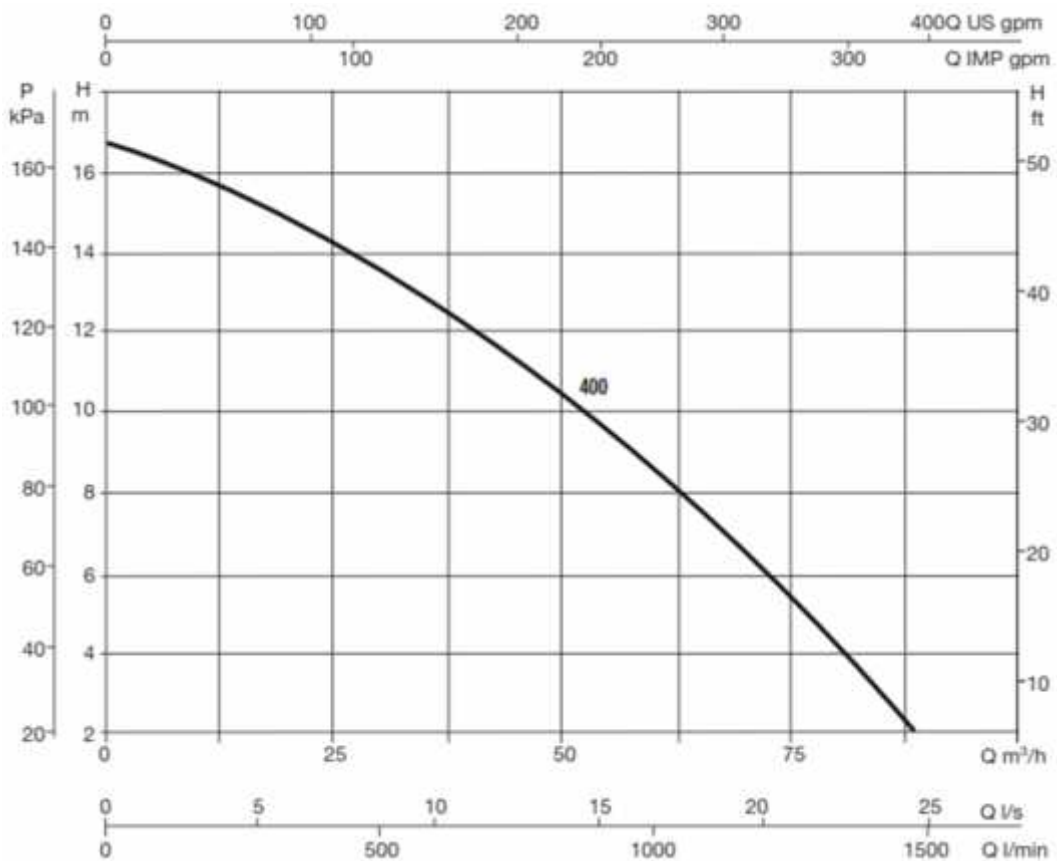
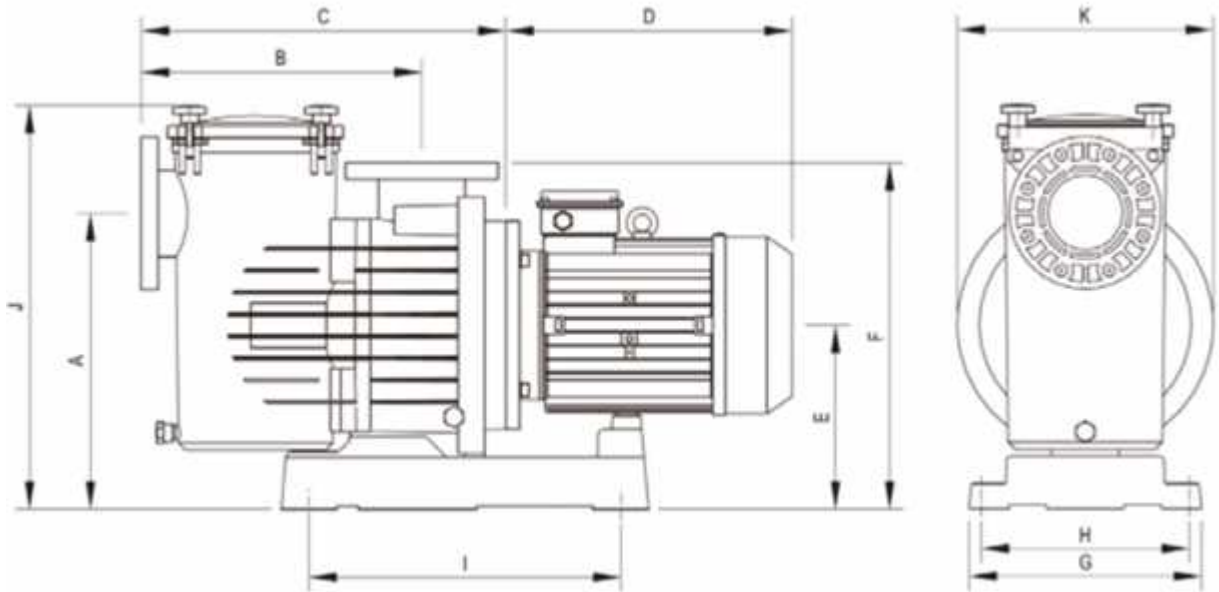
SAFETY WARNINGS

- Refer to the technical manual supplied with the system for all information and instructions.
- **The water softener must be installed by qualified personnel, in compliance with Min. Decree 37/08, the best state of the art and in conformity with the instructions given in the technical manual.**
- Any handling, installation, maintenance and repair work on the systems must be carried out by qualified personnel in compliance with Min. Decree 37/08, the best state of the art and in conformity with the instructions given in the technical manual.
- The place where the systems, auxiliary material and consumables are located must comply with the storage, use and safety requirements of the current regulations.
- The water produced by every unit must only be used for its specifically intended purpose. Culligan declines any liability for the consequences of improper use of the water produced by its equipment.
- Any operation fault in the systems must be promptly reported to the Culligan Service Center. Culligan declines any liability for the consequences of prolonged use of a faulty system.
- When necessary, the choice, dosing and handling of chemicals must be done by professionally qualified personnel, complying with the instructions given by Culligan and in the Technical Safety sheets.
- Waste or consumable materials from the water treatment systems must be disposed of in accordance with the current regulations.
- Do not place the device on top of other electrical appliances.
- Position the device away from heat sources.
- In case of an anomaly (water leaks, etc.), disconnect the power supply and close the water inlet shutoff valve.
- Culligan also declines any liability in the following specific cases:
 - improper use of the device;
 - use contrary to the specific national regulations (power and water supplies, installation and maintenance);
 - installation without following the instructions supplied in this manual;
 - power and water supply faults (electrical discharges – voltage rushes – water supply overpressure – low water pressure);
 - unsuitable ambient operating temperature;
 - inadequate maintenance;
 - unauthorized work or modifications;
 - breaking
 - use of non-original replacement parts or not specific for the model;
 - total or partial non-compliance with the instructions;
- For anything not specified, the operator must rely on common sense when using the device.

4P CRYSTAL Pump

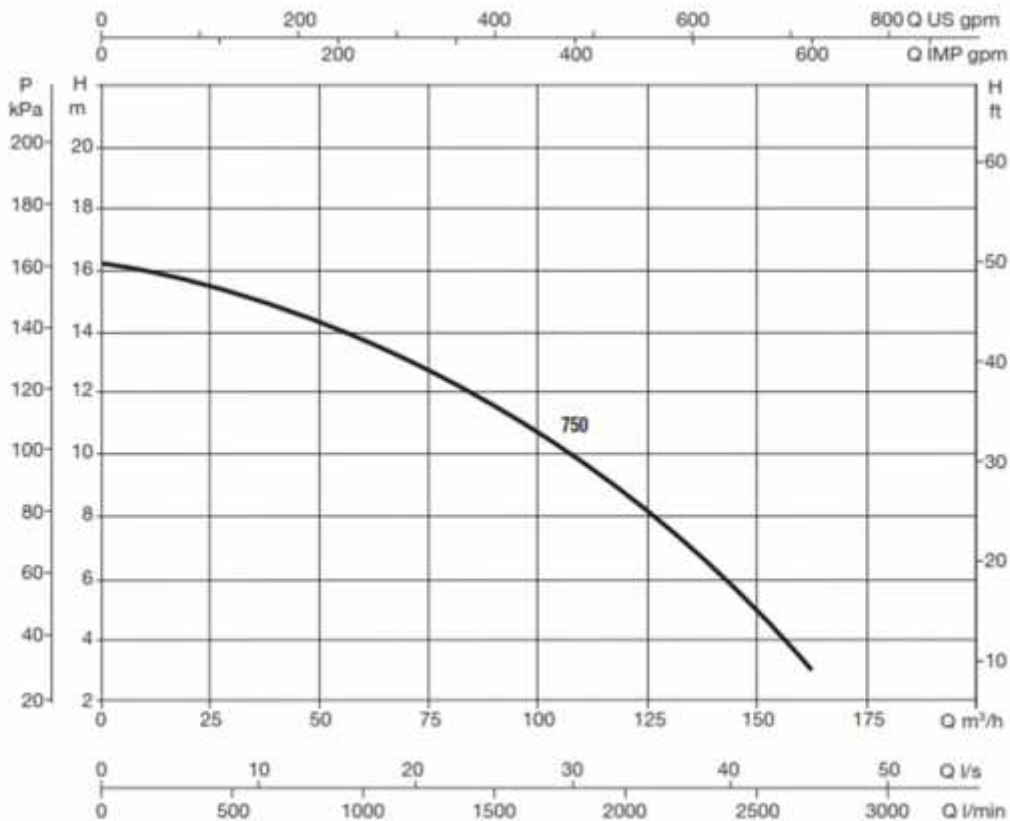
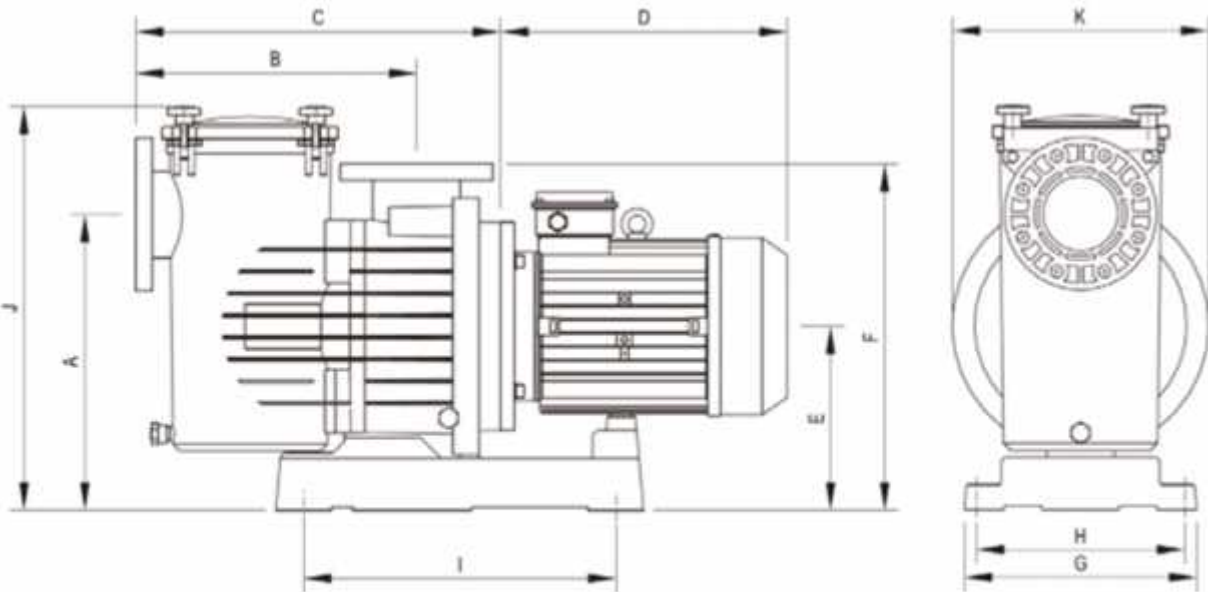
CRYSTAL 4P kW 3.0

MODEL	A	B	C	D	E	F	G	H	I	J	K	Pack dimensions			Weight kg
												L	B	H	
CRYSTAL 4P kW 3.0	420	405	530	310	265	495	335	300	450	590	370	840	385	595	44,5



CRYSTAL 4P kW 5.5

MODEL	A	B	C	D	E	F	G	H	I	J	K	Pack dimensions			Weight kg
												L	B	H	
CRYSTAL 4P kW 5.5	420	405	508	380	265	495	335	300	450	590	370	1170	385	715	66



Culligan reserves the right to change or modify the stated specifications or dimensions